

AIR-TEC[®]

SYSTEM

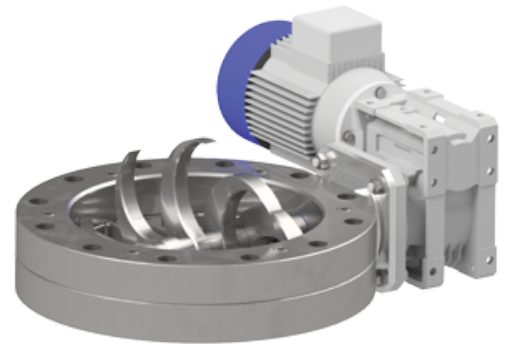
LUMP-BREAKER KLOTECH





The lump-breaker is a tool designed to simplify the handling of materials that tend to form lumps or aggregates.

Air-Tec System has a range of ergonomically designed and versatile lump-breaker models capable of handling a wide variety of products, from powders to granules.

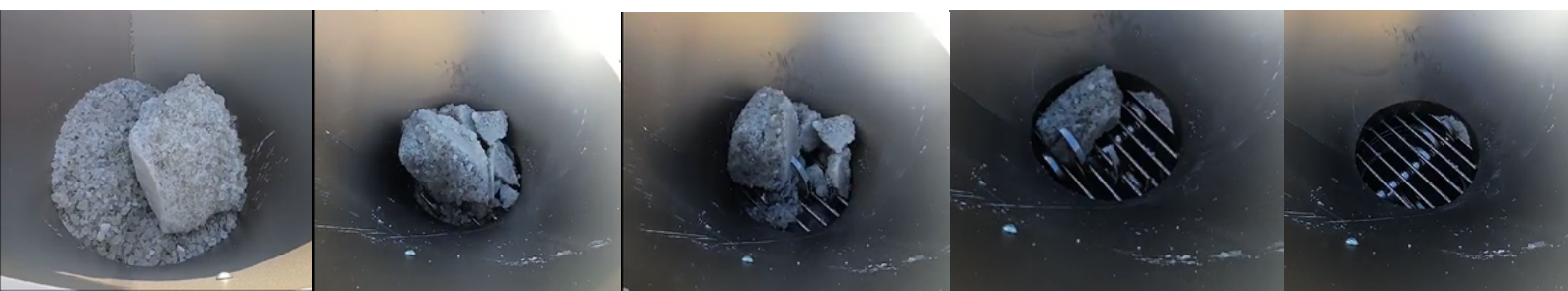


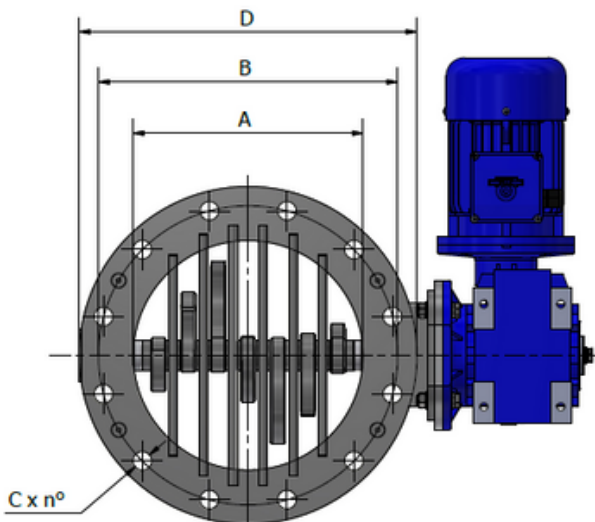
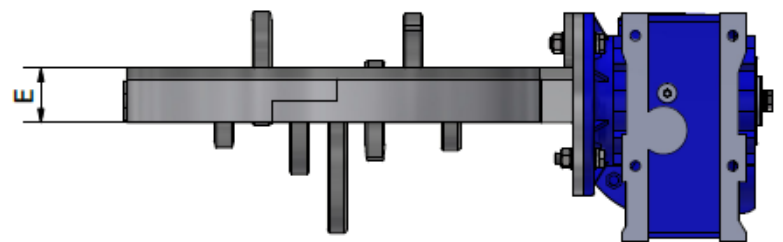
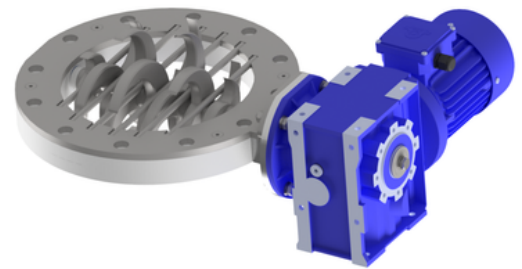
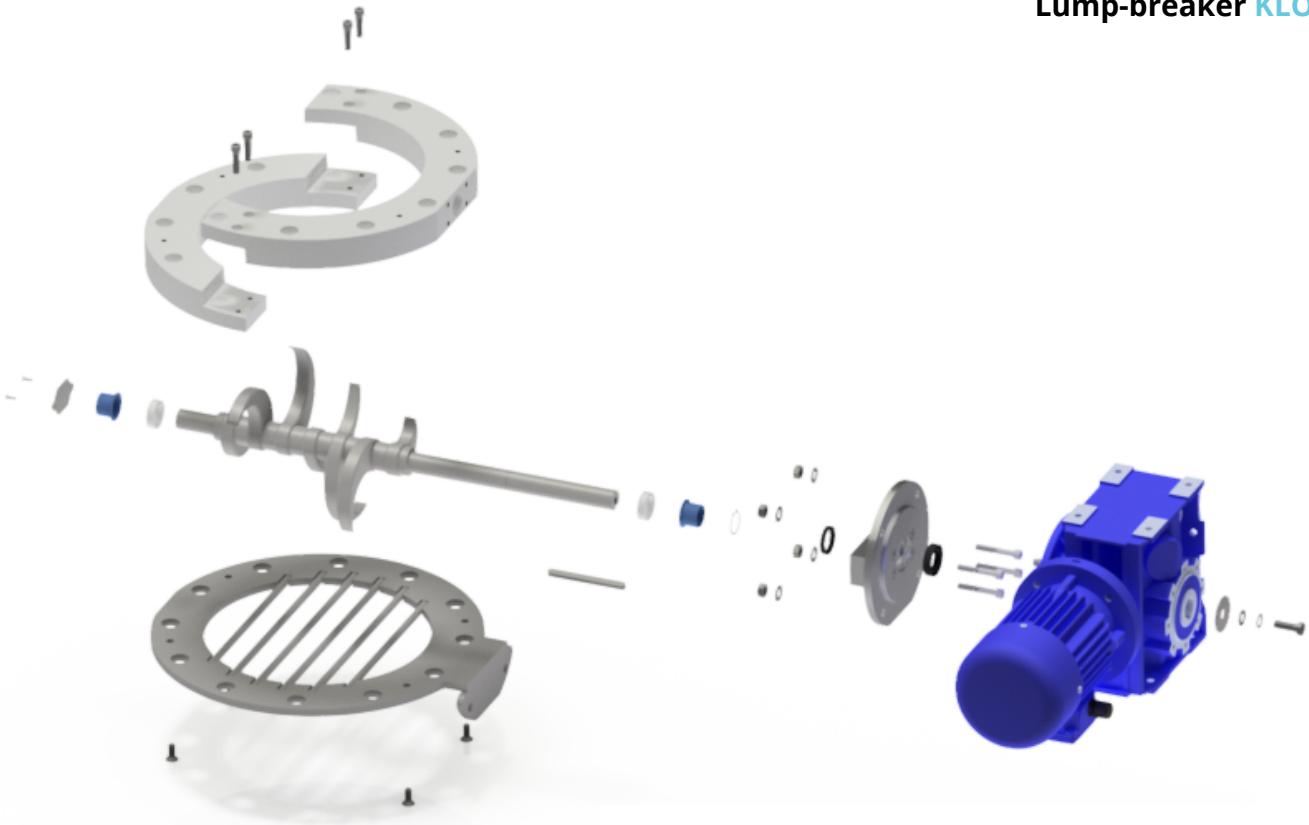
Equipped with robust 18 mm thick separating blades that reduce agglomeration and facilitate the uniform passage of the product.

Thanks to its innovative design, KLOTECH fits easily into any type of tank or hopper, ensuring simple and efficient application.

Made of stainless steel 304 or 316L, with the robust body made of POM-C or upon request G.H.A.® 50 µm oxidised aluminium to ensure corrosion resistance even in the most aggressive environments.

Designed and finished to limit product deposits and easily cleaned, ideal for use in sectors such as the food, chemical or pharmaceutical industries.





SIZES

MODEL	A	B	C	n°	D	E
RGCP 150	164	240	22	8	285	50
RGCP 250	269	350	22	12	395	50
RGCP 400	402	515	26	16	565	50

*Other sizes can be made upon request



FOOD

- › Bakery
- › Bakery products
- › Confectionery
- › Drinks
- › Cereal processing
- › Coffee



ZOOTECHNICAL

- › Feeding dogs and cats
- › Feeding Pigs
- › Feeding Ruminants
- › Feeding Poultry



PLASTIC

- › Production
- › Technopolymers
- › Materbatch production
- › PVC production
- › Plastic regrind processing



ECOLOGY

- › Inertisation of waste
- › Purification
- › Waste-to-energy



CHEMICAL

- › Chemicals
- › Fertilisers
- › Detergents
- › Paints



BUILDING

- › Production premixes
- › Production of concreting
- › Production of ceramics